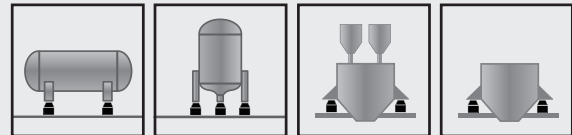
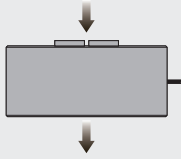


Type DBSL-SJ Load Cell

5t~30t



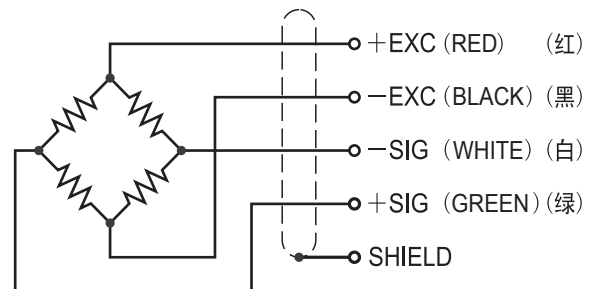
Spoke Type

Features 主要特点

- Spoke type load cell
- Senior alloy steel
- High accuracy
- High stability
- Low profile
- Easy to install
- Protected against corrosion by nickel-plated treatment
- Suitable for testing machine and bin & hopper scales, etc.
- 轮辐式传感器
- 优质合金钢材质
- 高精度
- 高稳定性
- 低外形
- 安装简便、快速
- 表层镀镍防腐处理
- 适用于试验机和料斗秤等

Schematic 接线方式

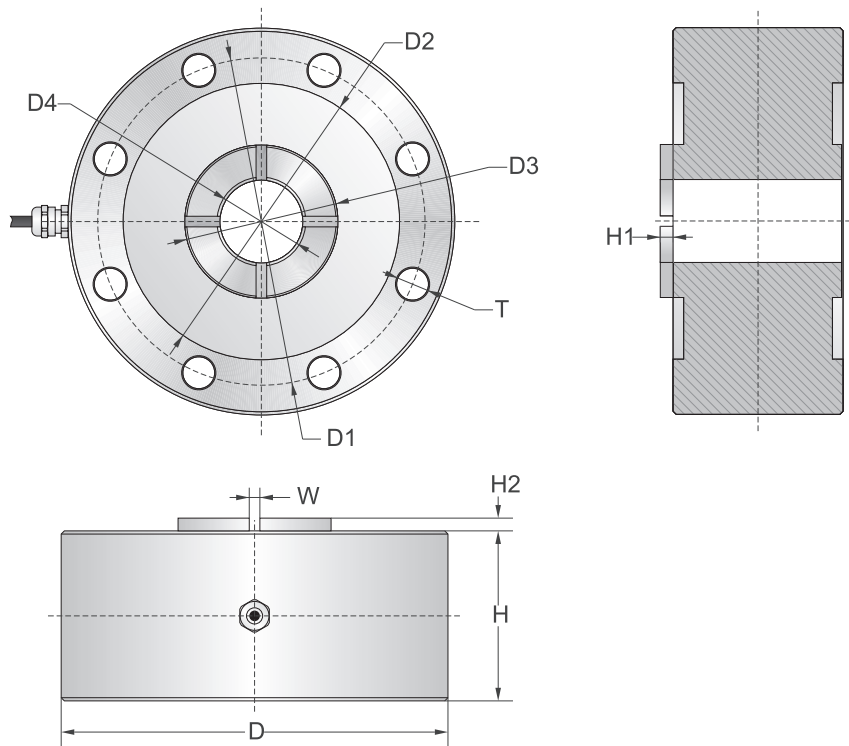
Red :	+ input	红色 :	+ 激励
Black :	- input	黑色 :	- 激励
Green :	+ output	绿色 :	+ 信号
White :	- output	白色 :	- 信号



Capacities 量程

5t, 10t, 20t, 30t

Dimensions 尺寸



Capacity/量程		D	D1	D2	D3	D4	H	H1	H2	W	T
5t / 10t	mm	Ø130.0	Ø105.0	Ø84.0	Ø48.0	Ø32.0	55.0	6.0	6.0	4×5.0	8×Ø14.0
20t / 30t	mm	Ø182.0	Ø154.0	Ø130.0	Ø72.0	Ø39.0	80.0	6.0	6.0	4×5.0	8×Ø15.0

Specification 技术参数

Rated Output	额定输出	2.0mV/V ±0.25%
Zero Balance	零点平衡	±1% of rated output
Creep after 30 minutes	蠕变	±0.03% of rated output
Nonlinearity	非线性	±0.03% of rated output
Hysteresis	滞后	±0.03% of rated output
Repeatability	重复性	±0.03% of rated output
Temp. effect on output	灵敏度温漂	≤0.002% of applied output/°C
Temp. effect on zero	零点温漂	≤0.002% of rated output/°C
Safe Temp. Range	可用温度范围	-10°C to + 70°C
Temp. Compensated	温度补偿范围	-10°C to + 40°C
Safe Overload	安全载荷	150%
Input Impedance	输入阻抗	387 ohm ± 20 ohm
Output Impedance	输出阻抗	350 ohm ± 5 ohm
Insulation Resistance	绝缘阻抗	≥5000 M ohm (50V DC)
Rated Excitation	推荐激励电压	10V DC/AC
Maximum Excitation	最大激励电压	15V DC/AC
Cable Length	导线长度	5m
Cable Color Code	导线颜色	Red(+ E) Black(- E) Green(+ S) White(- S)

Spoke Type